

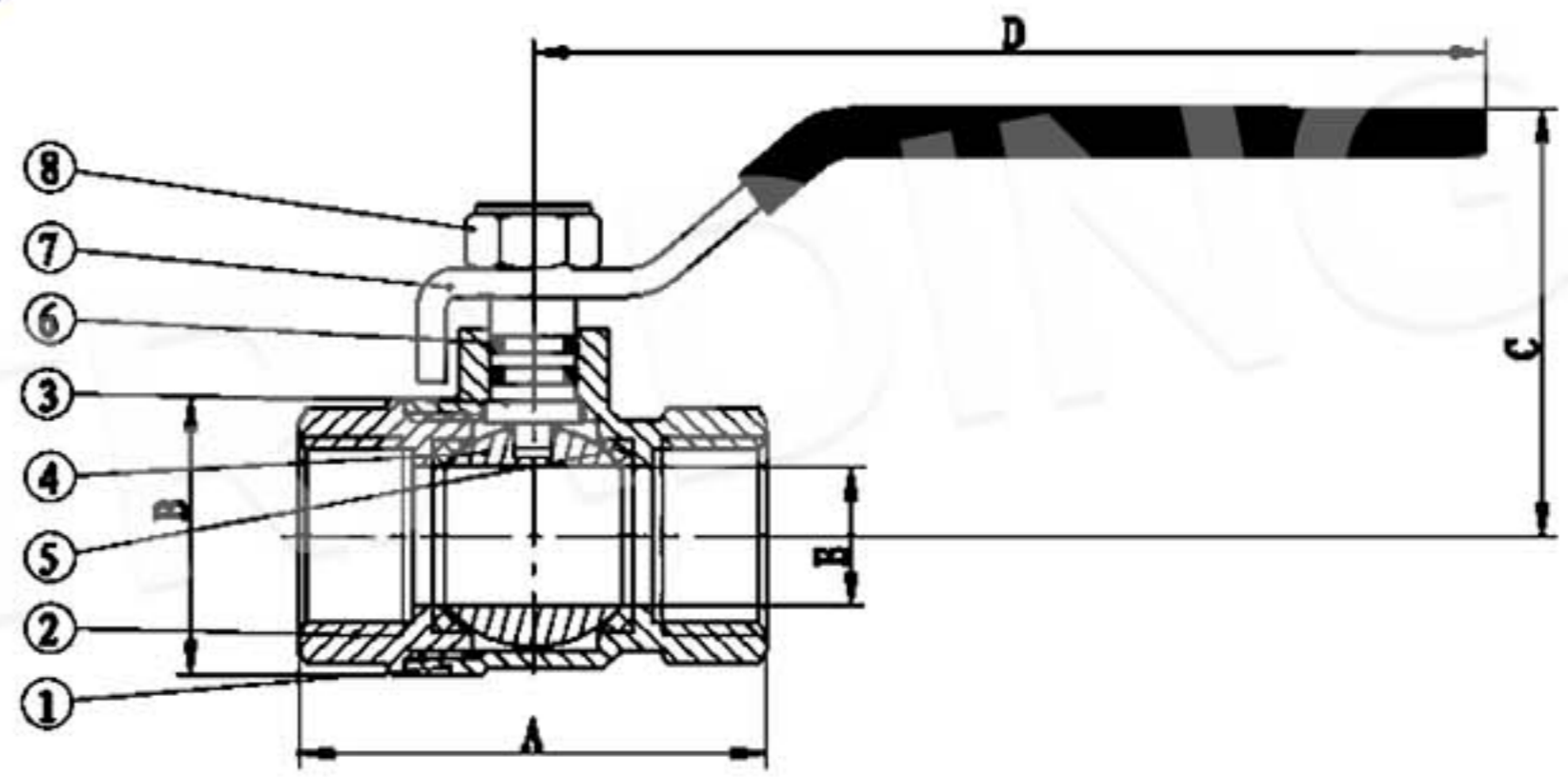
# BALL VALVE



## 2-PC BRASS BALL VALVE SCREWED ENDS

### FEATURE AND APPLICATION

- ◆ These valve conform to the requirements of MSS SP-110
- ◆ 2-Piece body design, Full port
- ◆ Blow-out proof stem
- ◆ Applicable Medium : Water, Oil, Gas
- ◆ Screwed end BSPT Connection
- ◆ Lever Handle Operation
- ◆ Max.Working Pressure : 600 PSI (41.4 Bar)
- ◆ Max.Working Temperature : -10°C To 120°C
- ◆ Size Range : 1/4" - 4"



### Bill of Materials

Seqebsce	Description	Material	Sizes
1	Body	Brass	All
2	Bonnect	Brass	All
3	Stem	Brass	All
4	Ball seat	PTFE	All
5	Ball	Brass	All
6	O-RING	NBR	All
7	Handle	Steel	All
8	Nut	Steel	All

### Dimensions

mm

DN	INCH	A	B	C	D
8	1/4	42	10	39.5	81
10	3/8	42	10	39.5	81
15	1/2	58	14	46.5	88
20	3/4	63	17	46.5	88
25	1"	63.5	23	55	99.5
32	1.1/4"	73.5	30	74.5	130.5
40	1.1/2"	87	34	74.5	130.5
50	2"	98	45	87	141
65	2.1/2"	129	56	146	200
80	3"	145	68	195	270
100	4"	168.5	84	215	270

